

VITESCO TECHNOLOGIES PIONEERING STUDENT CAMP

#JOINTHEJOURNEY

ONLINE VERSION OF SUMMER PRACTICE PROGRAM

Public

VITESCO TECHNOLOGIES

Vitesco Technologies is a leading international developer and manufacturer for sustainable mobility. With smart system solutions and components for electric, hybrid and internal combustion vehicles, Vitesco Technologies makes mobility clean, efficient and affordable. The product range includes electric drives, electronic control units, sensors and actuators, and exhaust-gas aftertreatment solutions. **In 2020**, Vitesco Technologies, a Continental business area, recorded around **EUR 8 billion** and employed more than 40,000 employees at about 50 locations worldwide. Vitesco Technologies is headquartered in Regensburg, Germany.



AROUND 50 LOCATIONS

for production and development.



> 40,000 EMPLOYEES

are globally active for the company.



**AROUND € 8 BILLION
SALES**

achieved in 2020.

The image is a promotional graphic for Vitesco Technologies. It features a collage of three main elements: a white electric car on the left, a smiling woman in the center, and a scenic view of a highway bridge over a lake on the right. The Vitesco Technologies logo is positioned in the top right corner.

vitesco
TECHNOLOGIES

ELECTRIFIED. EMOTION. EVERYWHERE.

OUR VISION

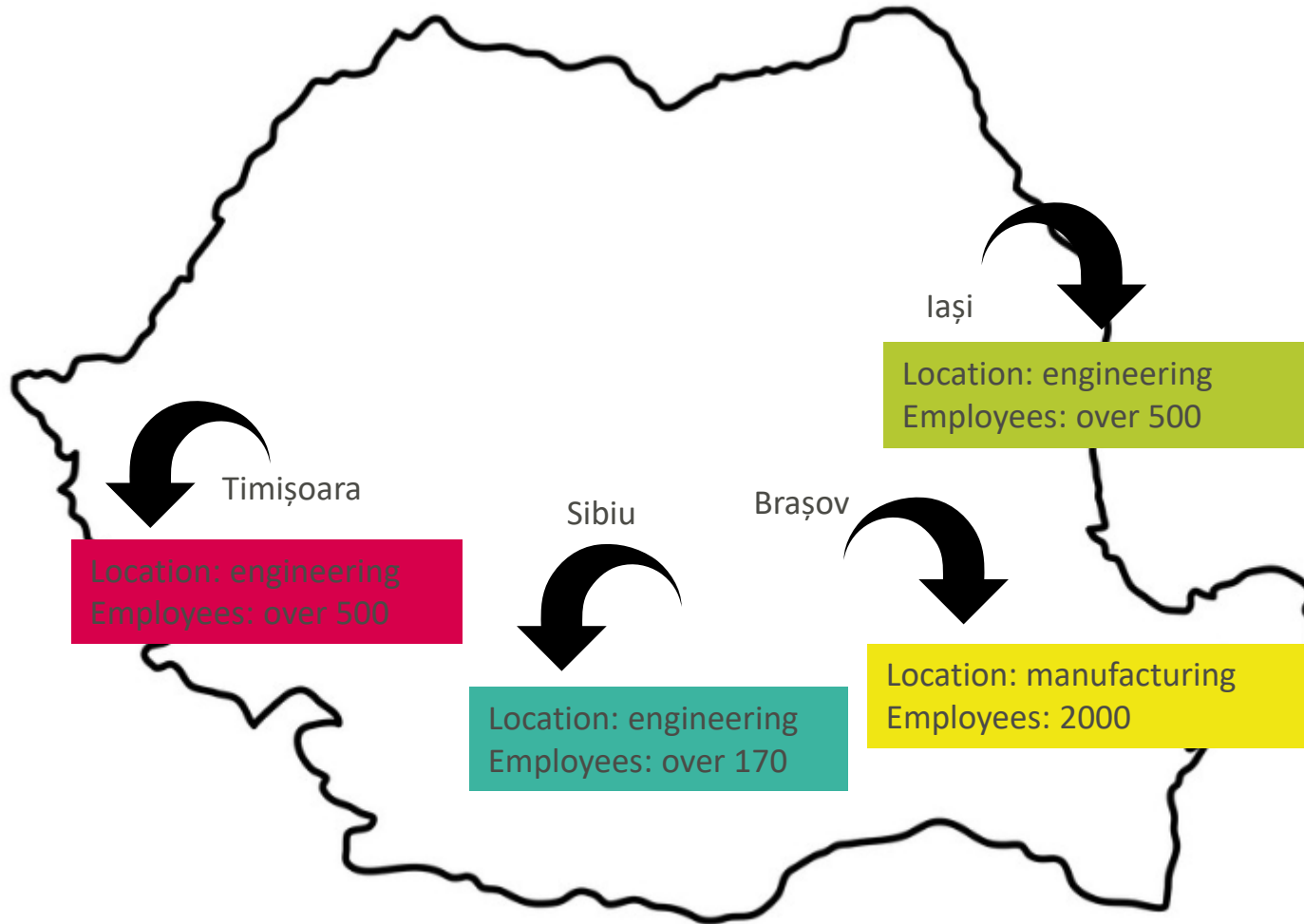
POWERING CLEAN MOBILITY.

OUR MISSION

vitesco
TECHNOLOGIES



WHERE WE ARE IN ROMANIA



ROMANIA - COMPETENCIES

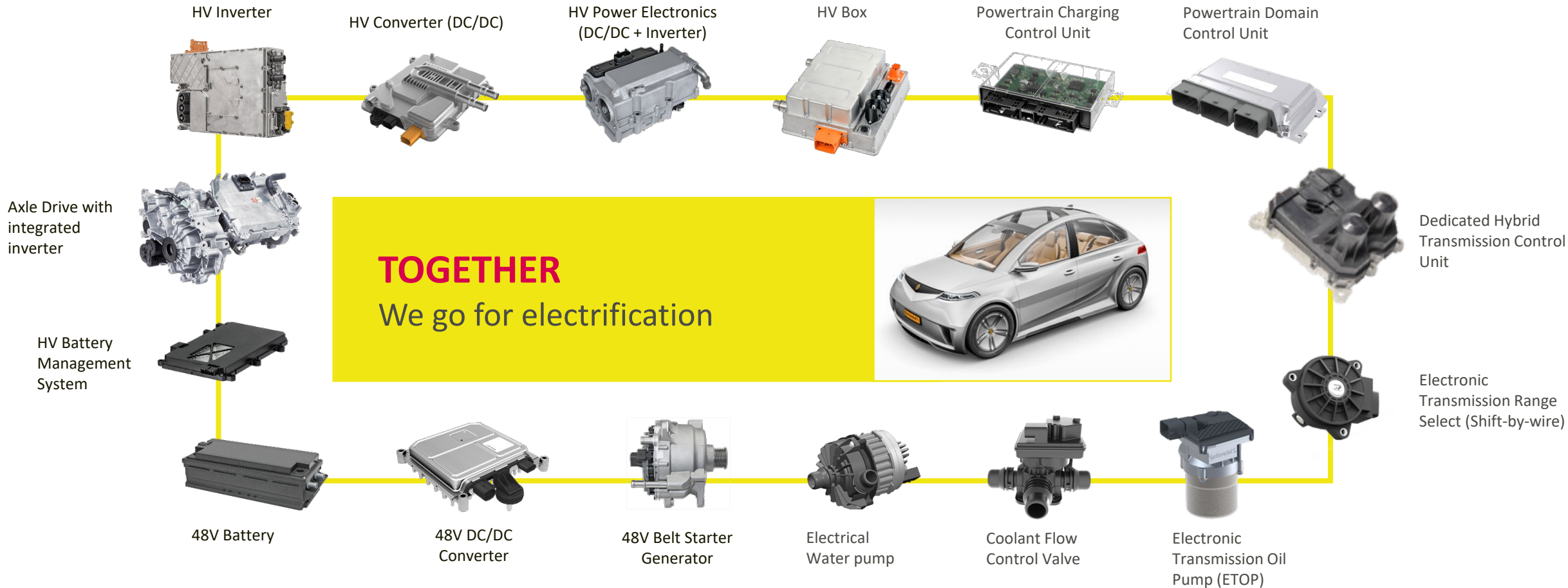
- Software
- Hardware
- Mechanical design
- Project management
- Purchasing
- Quality

VITESCO TECHNOLOGIES IAȘI

CALEA CHIȘINĂULUI, NR. 2A



ELECTRIFICATION SOLUTIONS



OUR EMPLOYER BRAND IDENTITY

PASSIONATE, PARTNERING, PIONEERING

Passionate



We develop clean mobility for a better world.

Partnering



Grow with us in a networking culture.

Pioneering



Be a pioneer and build tomorrow's technologies.

The world is transforming and it's up to us to make a difference. At Vitesco Technologies we are determined to **develop clean mobility for a better world**. Our employees act as **pioneers** who strive for new paths with our technologies and systems. In order to make this possible, we support our employees to grow and to develop their competencies in our global network culture.

Powering the future together.

VITESCO TECHNOLOGIES' PIONEERING STUDENT CAMP

WWW (WHY? WHAT? WHO?)

> WHY?

- > **Vitesco Technologies** provides the best environment for **students** to practically experience **automotive projects** and make a valuable contribution to their future.



> WHAT?

- > **Full Online** summer practice program (MS Teams platform)
- > **You will work on your own device**
- > **Unpaid collaboration**
- > Starting on **28th of June until 16th of July**
- > **Apply until 22nd June 2021**

> WHO?

- > **Limited number of 30 students** from 2nd and 3rd years from technical faculties (TUIASI) or Informatics (UAIC)
- > **Benefits for students:**
 - > You will get **new skills and knowledge about embedded systems and electronics**
 - > **Daily support and knowledge sharing** from our trainers
 - > **Technical practice equivalence** for your faculty

PROGRAM OVERVIEW

WHAT IS THE THEME? WHAT WILL YOU WORK WITH?

> **Project – Usage of most used embedded parts**

- > During program you will
 - > create the hardware schematic for simulation
 - > develop the software using Embedded C
 - > Test your code

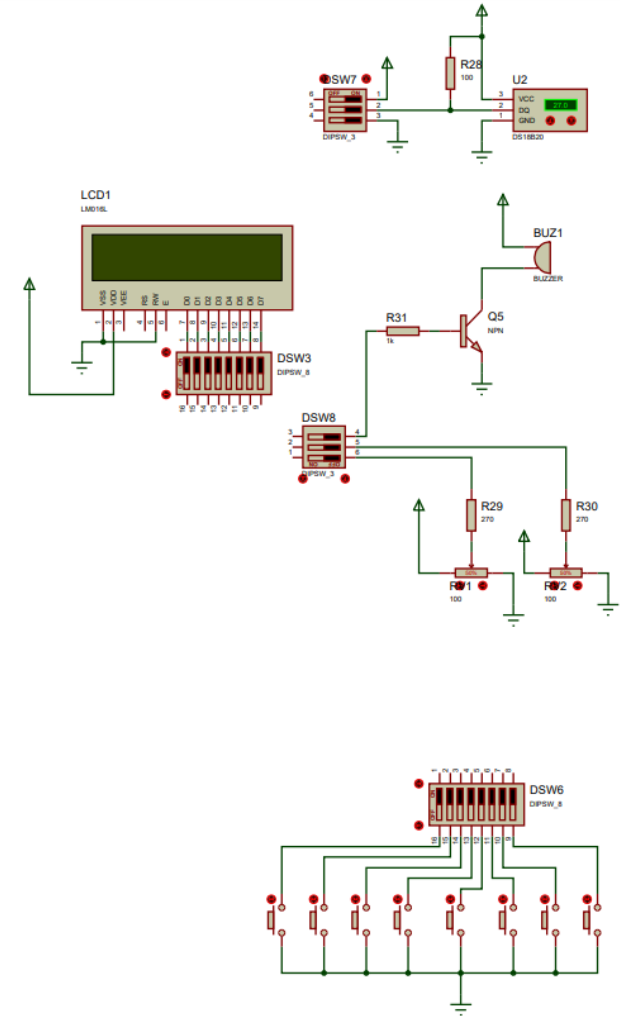
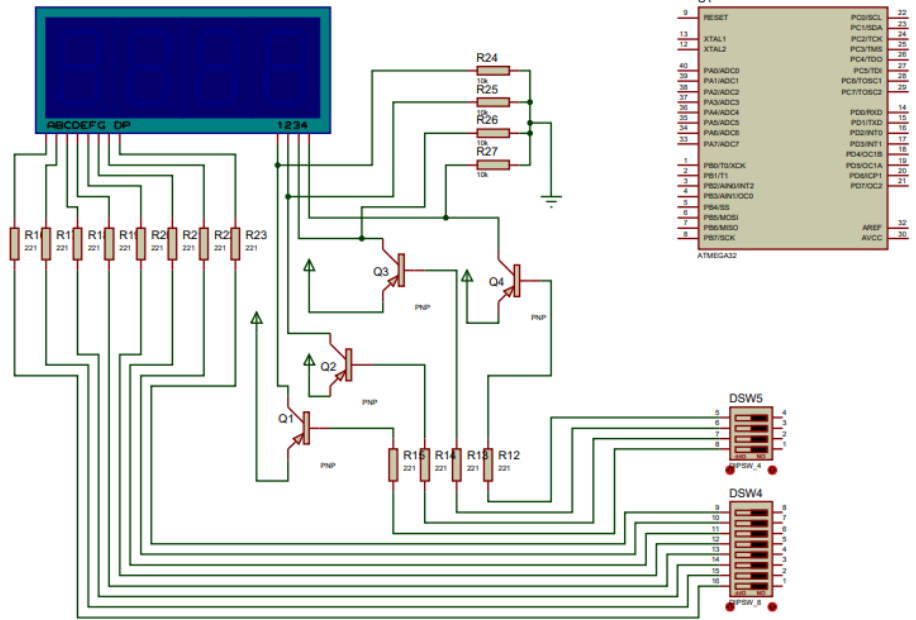
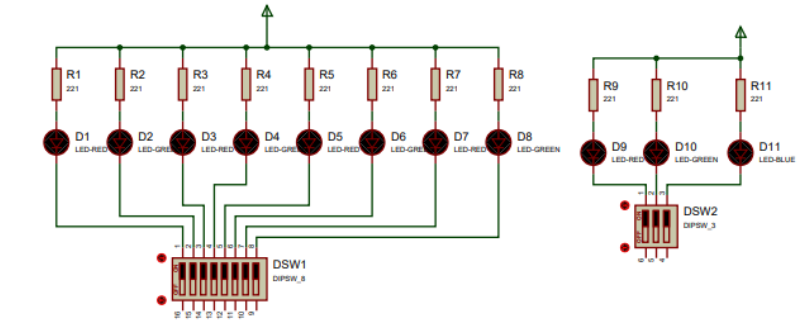
> **You will work with:**

- > **ATmega32A** microcontroller and its peripherals (like Timers, ADC etc.)
- > **Sensors**
- > **DC motor control**
- > **Shift register control**
- > **Displays** – you will learn how to control Liquid Crystal Displays (LCD) and 7segment displays
- > A simulation program in which you will be able to run real-time simulations and test your code.
- > An IDE in which you will develop your code

APPLICATIONS OVERVIEW

APPLY WHAT YOU'VE LEARNED IN FACULTY

- > You will apply knowledge like:
 - > **Signals** – you will work with different types of signals
 - > **Interrupts** – you will learn how to manage different types of interrupts like Timer Interrupts, External Interrupts and A/D converter interrupts
 - > **PWMs** – you will learn how to generate PWM signals with different frequencies.



HOW DO YOU SIGN UP?

- > For signing up you will need to send an e-mail to emanuel.botezat@vitesco.com :
 - > **E-mail Subject: Summer practice Sign Up First Name Last name**
 - > Please specify in the e-mail body your
 - > **First Name**
 - > **Last Name**
 - > **Faculty**
 - > **Year of study**
 - > **E-mail**
 - > **Phone no**

SIGN UP UNTIL Apply until 22nd June 2021

#JOINTHEJOURNEY

<https://www.vitesco-technologies.com/ro>